

**Product data sheet**  
**Washbasin 950.11.200**

# HEWI

 **D0V1E**

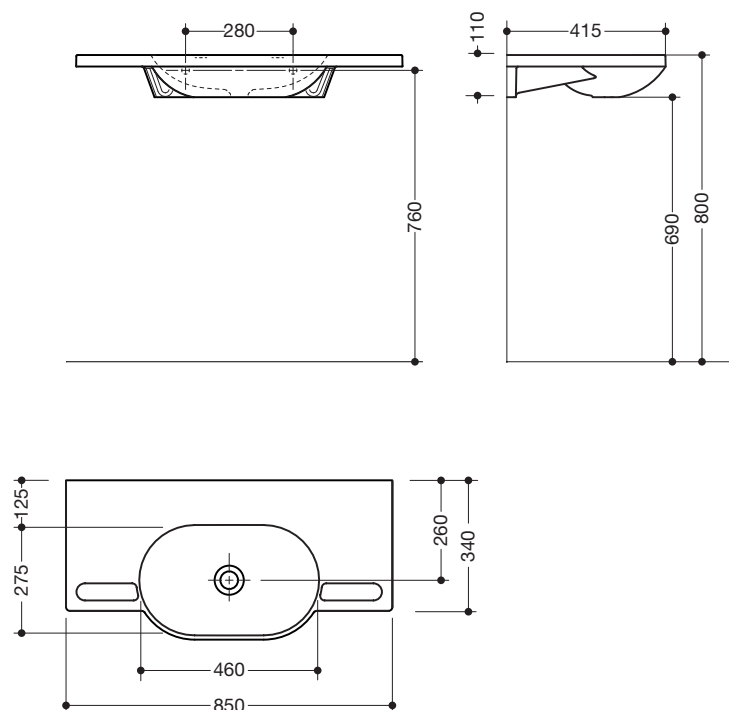


### Washbasin 950.11.200

- made of mineral composite with non-porous surface, alpine white
- with shelf and oval basin
- integrated gripping feature, can be used as a towel holder
- without overflow
- for wall-mounted fittings
- wheelchair accessible
- weight capacity to EN 14688
- 850 mm wide and 415 mm deep
- for hanger bolt fixing
- CE marking according to Construction Products Regulation No. 305/2011
- fulfils the ÖNORM B1600/1601 requirements for small basins



Dimensions in mm



Technical information subject to alteration, 15.06.2015

HEWI Heinrich Wilke GmbH  
Postfach 1260  
D-34442 Bad Arolsen

Telefon: +49 5691 82-366  
Telefax: +49 5691 82-99366  
international@hewi.com  
www.hewi.com

HEWI (UK) Limited  
Holm Oak Barn, Beluncle Halt  
Stoke Road  
Hoo Kent ME3 9NT

Phone +44 1634 258 200  
Fax +44 1634 250 099  
info@hewi.co.uk  
www.hewi.co.uk